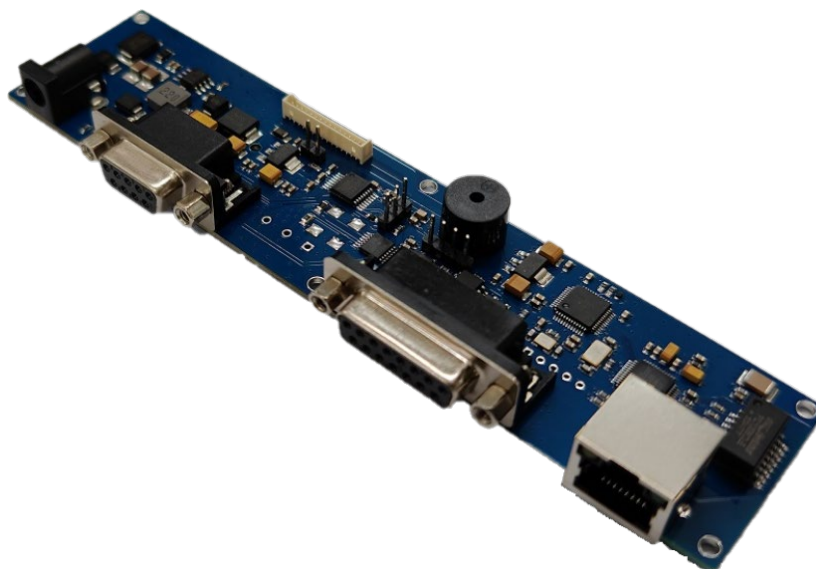


# UHF (Ultra-High-Frequency) Multi-function Interface Board



**Type: FU0039**

**Size: 161mmx37.5mmx16.6mm**

## Introduction

FU0039 is a multi-function ultra-high frequency electronic tag reader/writer interface board. It is designed with completely independent intellectual property rights. It has 2 optocoupler isolation outputs, 2 optocoupler isolation inputs and rich communication interfaces. It can be widely used in logistics system, access control systems, anti-counterfeiting systems and production process control and other radio frequency identification (RFID) applications.

## Features

- Completely independent intellectual property design;
- Supports 4-port, 8-port, 16-port and other multi-port read and write modules;
- Supports 2 optocoupler inputs and 2 optocoupler outputs;
- Low power consumption design, single +9V~24V power supply;
- Supports multiple communication interfaces such as RS232 and network port;
- Exquisite and compact design to meet the needs of a variety of applications.

## Electrical properties

### ● Limit parameters

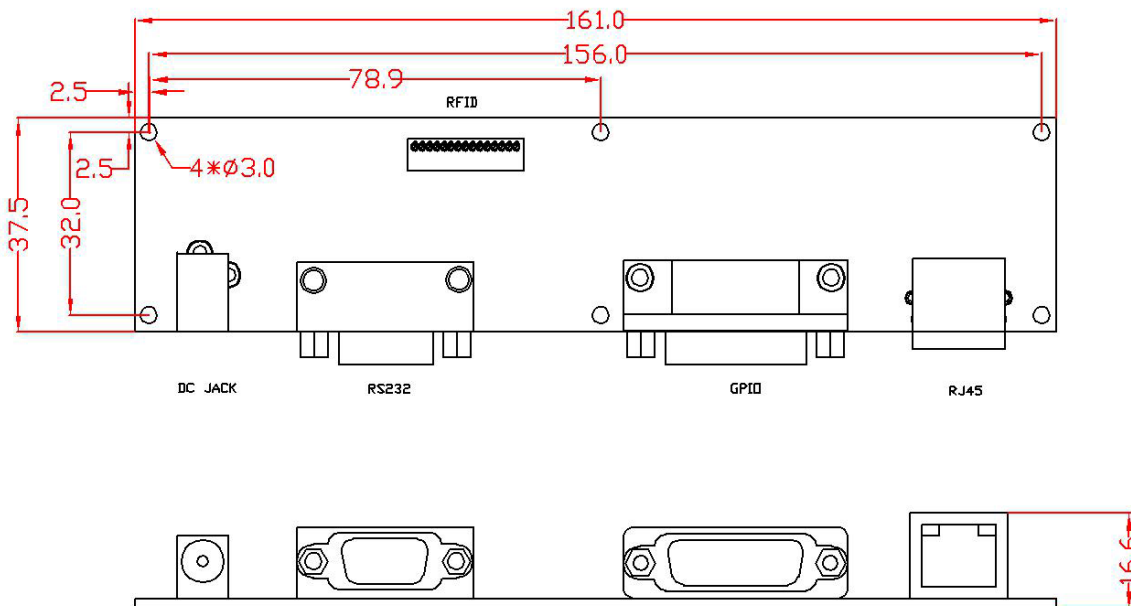
Item	Symbol	Numerical value	Unit
Voltage	VCC	26	V
Operating Temperature	T <sub>OPR</sub>	-20~+55	°C
Storage temperature	T <sub>STR</sub>	-20~+85	°C

### ● Specification

Unless otherwise specified, the specifications shown are taken under the operating conditions of T<sub>A</sub>=25°C and VCC=+9V

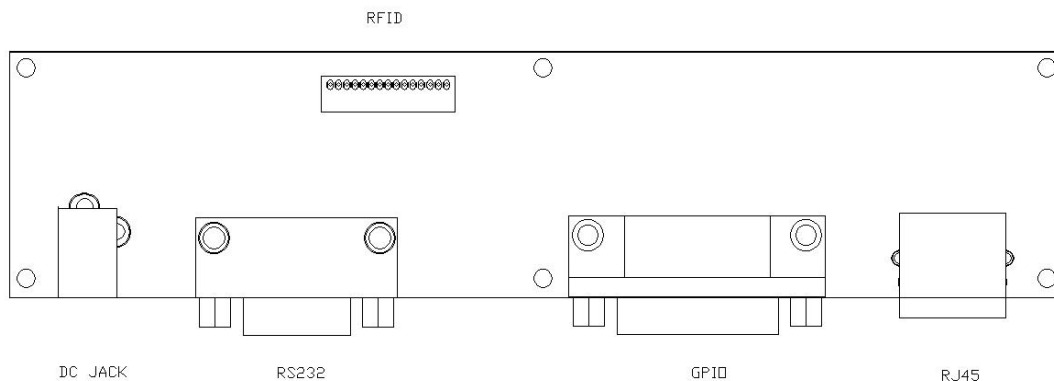
Item	Symbol	Min	Typical	Max	Unit
Voltage	VCC	9	-	24	V
Working current	IC		200	300	mA
Size	L x W x H		161 x37.5 x16.6		mm

**Mechanical properties (Unit mm) :**



**Figure 1: Dimensions and hole location diagram**

**Interface**



**1. Power interface DC JACK**

Serial number	Symbol	Description
Central	PWR	Positive 9-24v power supply
Outer	GND	Ground

**2. Serial communication interface RS232 (DB9 Female)**

Serial number	Symbol	Description
1	NC	reserve
2	TXD	Serial communication data output
3	RXD	Serial communication data input
4	NC	reserve
5	GND	signal ground
6	NC	reserve
7	NC	reserve
8	NC	reserve
9	NC	reserve

### 3. Universal input and output interface GPIO (DB15 Female)

Serial number	symbol	description
1	NC	reserve
2	NC	reserve
3	Input2-	Universal optocoupler isolation input terminal 2-
4	Input1-	Universal optocoupler isolation input terminal 1-
5	Output1	Universal optocoupler isolation output 1
6	Output1	Universal optocoupler isolation output 1
7	Output2	Universal optocoupler isolation output 2
8	Output2	Universal optocoupler isolation output 2
9	Input2+	Universal optocoupler isolation input terminal 2+
10	Input1+	Universal optocoupler isolation input terminal 1+
11	NC	reserve
12	GND	signal ground
13	NC	reserve
14	NC	reserve
15	NC	reserve

### 4. TCPIP Network Interface RJ45

Note:

1. If the manual changes, please refer to the latest version.

2. Xiamen Innuoer Information Technology Co., Ltd. reserves the right of final interpretation.